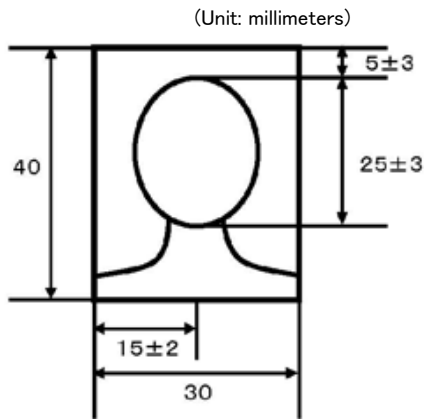


The followings are details: the required standard of photo quality for application.
Please refer to the photograph examples below and submit the suitable photograph.



1. Photograph size 40mm X 30mm (1.58" X 1.19")
2. The person in the photograph must be the applicant him/herself,
3. Check the facial dimensions place the photograph template showed in the left.
The heights of a head (top of hair and bottom of chin) must be 25mm ± 3mm (1")
4. A frontal pose looking directly at the camera and showing full face without wearing any hats or head covering.
5. No background and any shadows behind a head.
6. The photograph must be in sharp focus and correctly
7. Taken within three months to reflect your current appearance.
8. Your name must be written in the back of a photograph

【The examples of acceptable photographs】



【The examples which do not meet the above standards】

■ Not meeting the requirement sizes and the standards



Image is not centered



Face tilted



There's a shadow behind her head
Not body front



Body tilted

■ A part of an image are hidden



The frames across eyes



Too thick frames



Reflection on lens



Hide one's face by a mask



Hair covering eyes



The part of the face is in shade because of head covering. (if there's no shadows and show the full face, head covering is allowed)

■ Hard to identify an individual



Mouth opens
Looks different from normal face expression



Vaguely-outlined image because of too dark behind



Image blurred



The part of the face is in shade

IMPORTANT NOTICE

PHOTOGRAPHS WHICH DO NOT MEET THE ABOVE STANDARDS WILL NOT BE ACCEPTED AND THIS WILL CAUSE OF DELAYING THE ISSUE OF YOUR APPLICATION.